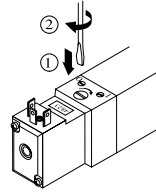


GENERAL

Fluid	Air or neutral gaz, filtered, lubricated or not
Operating pressure	1,5 to 8 bar
Ambient temperature	+5°C to +50°C
Orifice size	519 : 2,5 mm; 520 : 4 mm; 521 : 6 mm
Flow (Qv at 6 bar)	series 519 175 l/min (ANR) - Kv : 2,5 series 520 600 l/min (ANR) - Kv : 8,5 series 521 1050 l/min (ANR) - Kv : 15

CONSTRUCTION SPOOL VALVES

Body	Anodised white aluminium
Cover	POM (polyacetal)
Internal parts	Stainless steel, light alloy and POM (polyacetal)
Seals	NBR (nitrile)
Manual operator	Maintained, impulse Latchable in hold position (push-turn)



PILOT

Seals	NBR (nitrile)
Electrical equipment	Conforming to NF C79300 standard
Coil and iron circuit	Encapsulated

ELECTRICAL CHARACTERISTICS

voltages	consumption	insulation class	protection degree	electrical connection
~ 24V, 115V, 230V - 50/60Hz	2 VA (1,5 W)	F	IP 65	spade plug size 15 connector, DIN 43650, 9,4 mm, industry standard B, rotatable by 90°
= 24V	1,6 W			

SPECIFICATIONS


function symbol	operators solenoid air operated pilot (14) return (12)	response time (ms)		voltages	catalogue number			
		energized	de-energized		serie 519	serie 520	serie 521	
	spring return	20	30	24V ~ 115V ~ 230V ~	- - -	52000386 52000387 52000388	- - -	
	differential return	20	30	24V ~	51900002	52000002	52100002	
				115V ~ 230V ~	51900003 51900004	52000003 52000004	52100003 52100004	
	solenoid air return	20	-	24V ~	51900006	52000006	52100006	
				115V ~ 230V ~	51900007 51900008	52000007 52000008	52100007 52100008	
	pressure held W1	20	50	24V ~	51900010	52000010	52100010	
				115V ~	51900011	52000011	52100011	
				230V ~	51900012	52000012	52100012	
		pressure applied W2	20	50	24V ~	51900126	52000126	52100126
					115V ~	51900127	52000127	52100127
					230V ~	51900128	52000128	52100128
		pressure release W3	20	50	24V ~	51900087	52000087	52100087
					115V ~	51900088	52000088	52100088
					230V ~	51900089	52000089	52100089
				24V =	51900090	52000090	52100090	

OPTIONS AND ACCESSORIES

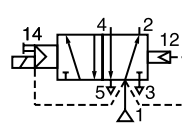
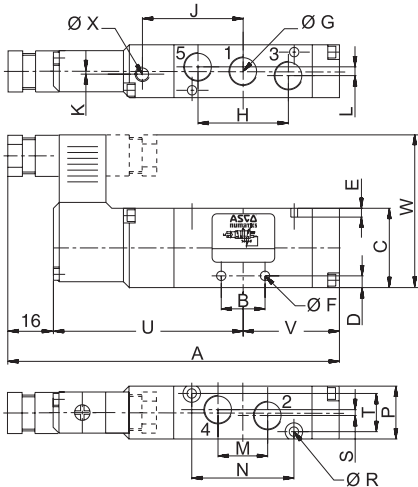
UR approval « UL Recognized »	24V =/~	612102
visual indicator (LED) and electrical protection	24V =/~	88130401
	115V ~	88130402
	230V ~	88130403
connector size 15 with cable, 2 m long		88143567
connector size 15 with built-in visual indication and protection, with cable outlet, 2 m long	24V =/~	88143580
flange for ports 2 - 4 with instant fittings for flexible tube 6 mm O.D. (series 520)		88135532

SUBBASES : possible mounting on joinable subbases . Fixing screws and seals are supplied with subbases

All leaflets are available on: www.ascocom

DIMENSIONS (mm), WEIGHT (kg) 

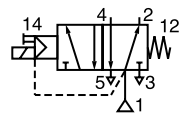
5/2 differential return and spring return



series	A	V
519	97,5	25
520	114	33,2
521	131,3	41,6

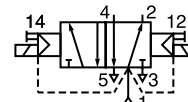
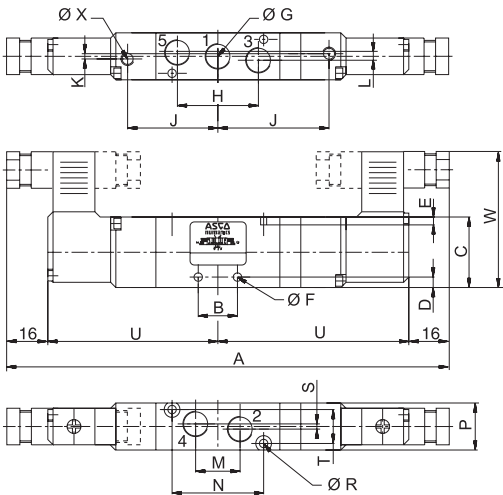
weight	
519	0,085
520	0,095
521	0,155

series	B	C	D	E	ØF	ØG	H	J	K	L	M	N	P	ØR	S	T	U	W	ØX
5/2 519	11	26	4	4	3,3	M5	21,6	26	-	-	11	19	15	2,7	6	11	56,5	52	4
5/2 520	15	27	6	3	3,3	G1/8	32,4	34,3	1	3	16,2	35	18	3,2	-	13	64,8	54,5	4
5/2 521	22	31	6,5	4	4,3	G1/4	44	43,2	-	4	22	50	22	4,2	4	16	73,7	56,5	3



series	A	V
519	97,5	-
520	123,3	42,5
521	131,3	-

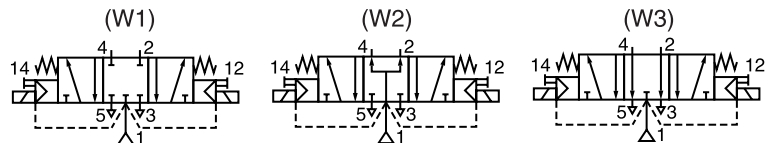
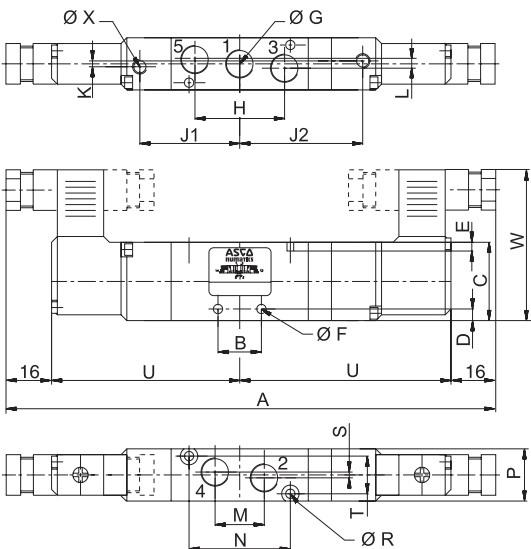
5/2 solenoid air return



weight	
519	0,135
520	0,160
521	0,200

series	A	B	C	D	E	ØF	ØG	H	J	K	L	M	N	P	ØR	S	T	U	W	ØX
5/2 519	145	11	26	4	4	3,3	M5	21,6	26	-	-	11	19	15	2,7	6	11	56,5	52	4
5/2 520	161,5	15	27	6	3	3,3	G1/8	32,4	34,3	2	3	16,2	35	18	3,2	-	13	64,8	54,5	4
5/2 521	179,5	22	31	6,5	4	4,3	G1/4	44	43,2	-	4	22	50	22	4,2	4	16	73,7	56,5	3

5/3 solenoid air return



series	A	B	C	D	E	ØF	ØG	H	J1	J2	K	L	M	N	P	ØR
5/3 519	153	11	26	4	4	3,3	M5	21,6	26	34	-	-	11	19	15	2,7
5/3 520	170,3	15	27	6	3	3,3	G1/8	32,4	34,3	43,3	1	3	16,2	35	18	3,2
5/3 521	188,3	22	31	6,5	4	4,3	G1/4	44	43,2	52,1	-	4	22	50	22	4,2

series	S	T	U	V	W	ØX	weight
5/3 519	6	11	56,5	64,5	52	4	0,140
5/3 520	-	13	64,8	73,7	54,5	4	0,170
5/3 521	4	16	73,7	82,6	56,5	3	0,210

00439GB-2017/R01 Availability, design and specifications are subject to change without notice. All rights reserved.

GENERAL

FLUID	: Air or neutral gas, filtered, lubricated or not
PORTS	: M 5 - G 1/8 - G 1/4
ORIFICE Ø	: 2,5 - 4 - 6 mm
PRESSURE	: 0 to 8 bar (1,5 to 8 bar with differential return)
PILOT PRESSURE	: 1,5 to 8 bar
TEMPERATURE	: +5 °C, +50 °C
FLOW (Qv at 6 bar)	: see table below
FUNCTIONS	: 3/2 - 5/2 - 5/3
MOUNTING	: individual or on joinable subbases



CONSTRUCTION

Body in polyamide or light alloy, cover in acetal resin (POM)
Internal parts in stainless steel, light alloy and acetal resin (POM)
Sealings in nitrile (NBR)

1 = Pressure	12 = Return
2,4 = Outlets	14 = Pilot
3,5 = Exhausts	

SPECIFICATIONS

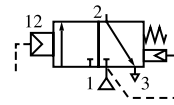
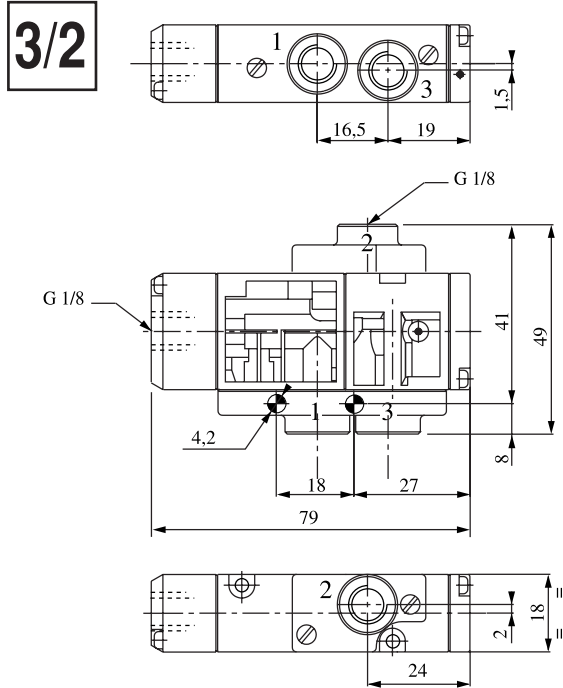
Functions	Symbols	Operators		Pipe size	Orifice size (mm)	Flow		catalogue number	
		Pilot (14)	Return (12)			at 6 bar (l/min) ANR	coef. KV		
3/2	NF	Air	Differential	G 1/8	4	400	5,7	52000376	
5/2		Air	Spring	G 1/8	4	400	5,7	52000330	
		Air	Differential	M5 G 1/8 G 1/4	2,5 4 6	175 600 1050	2,5 8,5 15	51900077 52000077 52100077	
		Air	Air	M5 G 1/8 G 1/4	2,5 4 6	175 600 1050	2,5 8,5 15	51900078 52000078 52100078	
		Pressure held W 1 Air operated			G 1/8 G 1/4	4 6	600 1050	8,5 15	52000079 52100079
5/3		Pressure applied W 2 Air operated			G 1/8 G 1/4	4 6	600 1050	8,5 15	52000142 52100142
		Pressure release W 3 Air operated			G 1/8 G 1/4	4 6	600 1050	8,5 15	52000082 52100082

ACCESSORIES

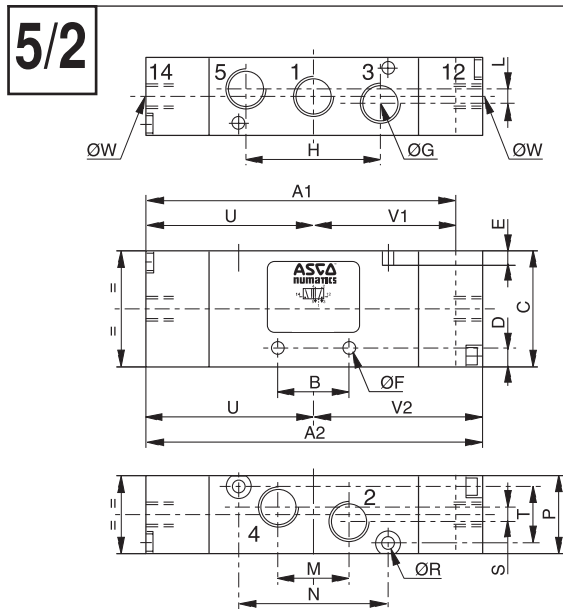
• 520 Series: Flange for ports 2 - 4 with instant fittings for flexible tube, catalogue number **88135532**

SUBBASES : Joinable subbases, [check the online configurator on: www.asco.com](http://www.asco.com)

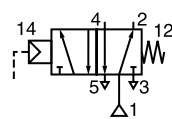
DIMENSIONS AND WEIGHTS



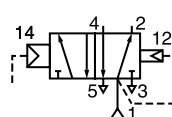
 520 = 45 g



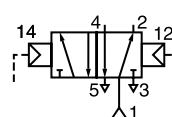
Series	B	C	D	E	ØF	ØG	H	L	M	N	P	ØR	S	T	U	ØW	
5/2	519	11	26	4	4	3,3	M5	21,6	-	11	19	15	2,7	6	11	30,5	M5
	520	15	27	6	3	3,3	G1/8	32,4	3	16,2	35	18	3,2	-	13	42,5	G1/8
	521	22	31	6,5	4	4,3	G1/4	44	4	22	50	22	4,2	4	16	50	G1/8



Series	A1	V1
5/2	519	-
	520	85,3
	521	-

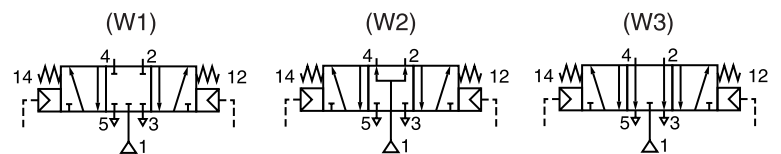
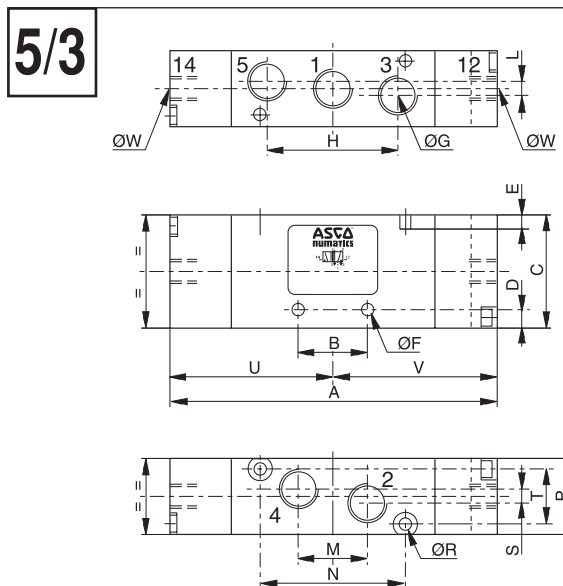


Series	A1	V1
5/2	519	55,5
	520	76
	521	91,5



Series	A2	V2
5/2	519	61
	520	85
	521	100

 519 = 50 g 520 = 65 g 521 = 110 g



Series	A	B	C	D	E	ØF	ØG	H	L	M	N	P	ØR	S	T	U	V	ØW	
5/3	520	94	15	27	6	3	3,3	G1/8	32,4	3	16,2	35	18	3,2	-	13	42,5	51,5	G1/8
	521	109	22	31	6,5	4	4,3	G1/4	44	4	22	50	22	4,2	4	16	50	59	G1/8

 520 = 75 g 521 = 120 g
